

Connection	Section	Length	Axial	Int.	Fastener	Pa	Req.
B1-B2	Plate - 0.0566"	0.00	3.45T	0.00	#12 Drivall	0.459	8
T1-T2	Plate - 0.0566"	0.00	3.64C	0.00	#12 Drivall	0.459	8
TC/BC(Knee L)	Plate - 0.0566"	0.00	4.76T	0.00	#12 Drivall	0.459	12
TC/BC(Knee R)	Plate - 0.0566"	0.00	4.76T	0.00	#12 Drivall	0.459	12
BC #1	362S162-54(50)	10.60	4.37T	0.62	#12 Drivall	0.000	0
BC #2	362S162-54(50)	10.60	4.37T	0.62	#12 Drivall	0.000	0
TC #1	362S162-54(50)	11.24	4.56C	0.79	#12 Drivall	0.000	0
TC #2	362S162-54(50)	11.25	4.57C	0.79	#12 Drivall	0.000	0
Web # 1 5	250S162-33(33)	0.84	0.13T	0.08	#12 Drivall	0.223	4
Web # 2 4	250S162-33(33)	4.36	1.52C	0.87	#12 Drivall	0.223	7
Web # 3	362S162-54(50)	1.68	2.73T	0.58	#12 Drivall	0.459	6
Web Stiffener (ws)	250T125-33(33)	0.29	1.29C	0.38	#12 Drivall	0.223	6
BC Lateral Brace	250S162-33(33)	2.00	0.08C	0.03	#12 Drivall	0.223	1
BC Diagonal Brace	250S162-33(33)	3.89	0.16C	0.09	#12 Drivall	0.223	1

Connection	Simpson	each	Load	Uplift/Shear	Fastener	Pa	Req.
Chord-Wall				0.44	#12 Drivall	0.381	2
Truss Chord	VPA2	1	0.34		#12 Drivall	0.381	2
Steel Stud				0.34	#12 Drivall	0.381	2
Truss Chord	VPA2	1	0.34		#12 Drivall	0.381	2
Steel Stud				0.34	#12 Drivall	0.381	2

**GENERAL NOTES**

1. Trusses require lateral bracing. See Truss Layout and Detail sheets.
2. Top Chord continuously sheathed.
3. Number of fasteners noted in chart installed on each end of Web
4. Allowable fastener values based on LGSEA Research Note No. 1-00 and Grabber Chart.
5. (ws) denotes web stiffener required at support.
6. Member design based on sections in SSMA-RCD Library.

**Maximum Deflections**

Vertical	0.625 in (L / 384)
Horizontal	0.504 in
Top Overhang	0.203 in (L / 177)
Vertical	0.278 in (L / 863 ) [Dead Load Only]
Vertical	0.347 in (L / 692 ) [Live Load Only]

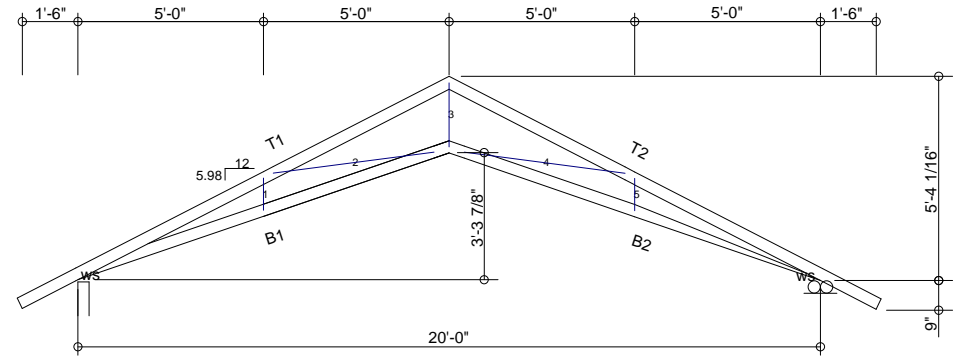
**Support Reactions**

	Down	Uplift*	Horizontal	Bearing
Left	1.29 {1.20}	-0.34 [-0.64]	0.44	3.63
Right	1.29 {1.20}	-0.34 [-0.64]	0.00	3.63

\* Uplift Load Combination (Truss to Support Connection Only): 0.6Dead + 1.0Wind  
 {} Denotes 'Dead+Live Only'  
 [] Denotes 'Wind Only' Uplift Reaction

**DESIGN DATA**

Number of Trusses = 10 each  
 Plate Style : Out-Of-Plane  
 Eave Height : 10.00 ft (top of wall)  
 Bearing : 3.625 in  
 Spacing : 2.00 ft  
 Dead Load : 10.00 psf (top chord)  
 Dead Load : 10.00 psf (bottom chord)  
 Live Load : 20.00 psf (top chord)  
 Live Load : 0.00 psf (bottom chord)  
 Snow Load : 43.00 psf (ground)  
 Snow Load : 30.10 psf (design) [Is =1.00, Ce = 1.00]  
 Wind Load : 22.35 psf (design) [Iw = 1.00]  
 Wind Speed : 110 mph (Exposure C)  
 Open Category: E  
 Topography (Kz):1  
 Building Category: (2) General  
 Seismic Coefficient: 0.044



Per AISI S100-2007		Actual			Allowable			Ratio
Member	Section	Po	Vo	Mo	Pa	Va	Ma	
Bottom Chord	1-362S162-54(50)	4.37T	0.01	3.79	12.63	3.37	14.01	0.62
Top Chord	1-362S162-54(50)	4.56C	0.05	4.37	9.66	3.37	14.01	0.79
Web	1-362S162-54(50)	0.13T	0.00	1.35	4.41	0.96	3.72	0.58

International Building Code 2009: PASSED  
 Design Method - (ASD)  
 Component Wind Pressure Design (Interior)



**Rusk Component and Design**  
 11357 Billings Ave  
 Lafayette, CO 80026  
 (303) 828-5747

**Roof Trusses**  
 Lafayette, Co

Truss D&E, V25.011  
 Date: 04-24-2015  
 Time: 08:17  
 Designer: BJR  
 File: S-63-20  
 Job Number: RoofTruss

**S-63-20**