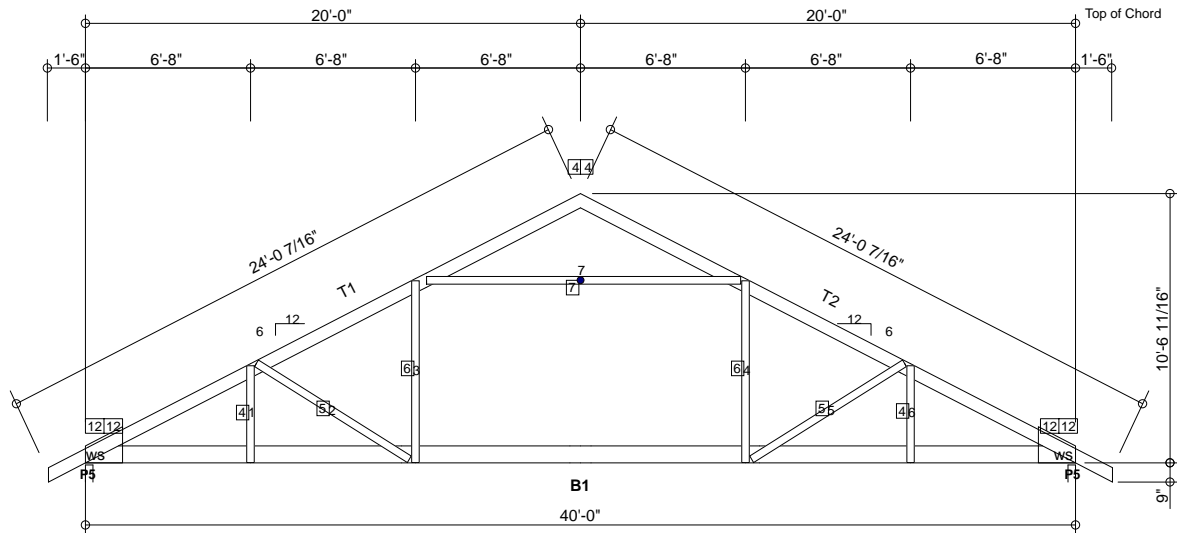
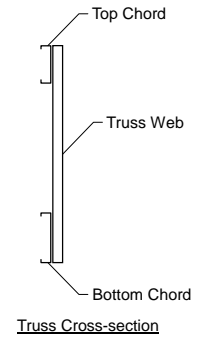


MATERIAL CUT LIST	Material	Unit/Length	Quantity
Metal Screw	#12 Drivall	0	2186
Metal Screw	#10 Drivall	0	80
Connector (P3)	PL12x12x0.057	0	10
Connector (P5)	PL18x15x0.057	0	20
Simpson	S/H2.5	0	20
B1	800S162-54(50)	40'-0"	10
T1	600S162-54(50)	24'-3 7/16"	10
T2	600S162-54(50)	24'-3 7/16"	10
Web #1	362S162-33(33)	3'-9 9/16"	10
Web #2	362S162-43(33)	7'-2 3/4"	10
Web #3	362S162-33(33)	7'-1 9/16"	10
Web #4	362S162-33(33)	7'-1 9/16"	10
Web #5	362S162-43(33)	7'-2 3/4"	10
Web #6	362S162-33(33)	3'-9 9/16"	10
Web #7	362S162-68(50)	12'-8 5/16"	10
Web Stiffener (ws)	250T125-33(33)	7 13/16"	20

### GENERAL NOTES

- Number of fasteners noted in chart installed on each end of Web
- When connecting plates to chord or web members, fasteners must pass through the plate and member. If a joint connection has fasteners passing through the web, connector plate and chord, the fastener may be counted as part of the required number of fasteners for that joint.
- Minimum connector spacing (center to center or free edge) = 3/4"
- Truss connector type - #12 Drivall (Grabber)

Number of Trusses = 10 each
Chord Cut Type = Mitre Cut
Truss Spacing = 2'-0"
Number of Plys = 1
Weight per Truss = 254.1 lbs (per ply)



● denotes Web Brace  
 2/2 denotes number of fasteners @ each end of member (web or chord)  
 4/4 denotes number of chord-plate fasteners

Scale: 1/8" = 1'-0"



### Rusk Component and Design

11357 Billings Ave  
Lafayette, CO 80026  
(303) 828-5747

### Roof Trusses

Lafayette, Co

Truss D&E, V25.011  
Date: 04-24-2015  
Time: 08:29  
Designer: BJR  
File: A-10-40  
Job Number: RoofTruss

This document contains information proprietary to Rusk Component and Design and may not be used or reproduced without prior written consent. Contents subject to change without notice.

A-10-40

Fabrication Drawing