

Connection	Section	Length	Axial	Int.	Fastener	Pa	Req.
T1-T2	Plate - 0.101"	0.00	1.57C	0.00	#12 Drivall	0.674	4
TC/BC(Knee L)	Plate - 0.101"	0.00	2.03T	0.00	#12 Drivall	0.459	8
TC/BC(Knee R)	Plate - 0.101"	0.00	2.03T	0.00	#12 Drivall	0.459	8
BC #1	600S162-54(50)	19.68	1.58T	0.56	#12 Drivall	0.000	0
TC #1	362S162-97(50)	11.00	1.42C	0.81	#12 Drivall	0.000	0
TC #2	362S162-97(50)	11.00	1.42C	0.81	#12 Drivall	0.000	0
Web # 1	250S162-33(33)	2.42	0.67T	0.43	#12 Drivall	0.223	4
Web # 2	250S162-33(33)	2.42	0.67T	0.43	#12 Drivall	0.223	4
Web Stiffener (ws)	250T125-33(33)	0.49	1.45C	0.43	#12 Drivall	0.223	6
BC Lateral Brace	250S162-33(33)	2.00	0.15C	0.05	#12 Drivall	0.223	1
BC Diagonal Brace	250S162-33(33)	3.89	0.29C	0.17	#12 Drivall	0.223	2

Connection	Simpson	each	Load	Uplift/Shear	Fastener	Pa	Req.
Chord-Wall				0.45	#12 Drivall	0.381	2
Truss Chord	S/H1	1	0.26		#12 Drivall	0.381	3
Steel Stud				0.26	#12 Drivall	0.381	3
Truss Chord	S/H1	1	0.26		#12 Drivall	0.381	3
Steel Stud				0.26	#12 Drivall	0.381	3

GENERAL NOTES

1. Trusses require lateral bracing. See Truss Layout and Detail sheets.
2. Top Chord continuously sheathed.
3. Number of fasteners noted in chart installed on each end of Web
4. Allowable fastener values based on LGSEA Research Note No. 1-00 and Grabber Chart.
5. (ws) denotes web stiffener required at support.
6. Member design based on sections in SSMA-RCD Library.

Maximum Deflections

Vertical	0.462 in (L / 519)
Horizontal	0.021 in
Top Overhang	0.128 in (L / 281)
Vertical	0.305 in (L / 786) [Dead Load Only]
Vertical	0.157 in (L / 1527) [Live Load Only]

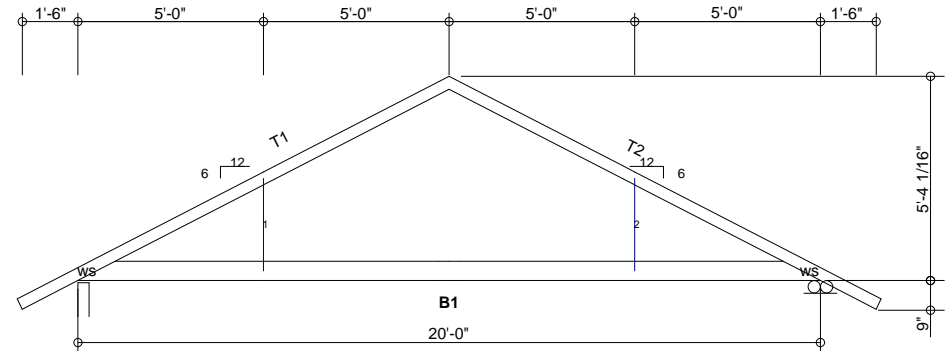
Support Reactions

	Down	Uplift*	Horizontal	Bearing
Left	1.45 {1.35}	-0.26 [-0.65]	0.45	3.63
Right	1.45 {1.35}	-0.26 [-0.65]	0.00	3.63

* Uplift Load Combination (Truss to Support Connection Only): 0.6Dead + 1.0Wind
 {} Denotes 'Dead+Live Only'
 [] Denotes 'Wind Only' Uplift Reaction

DESIGN DATA

Number of Trusses = 10 each
 Plate Style : Out-Of-Plane
 Eave Height : 10.00 ft (top of wall)
 Bearing : 3.625 in
 Spacing : 2.00 ft
 Dead Load : 10.00 psf (top chord)
 Dead Load : 10.00 psf (bottom chord)
 Live Load : 20.00 psf (top chord)
 Live Load : 0.00 psf (bottom chord)
 Live Load : 40.00 psf (Bottom Chord: 5 ft to 15 ft)
 Dead Load : 15.00 psf (Bottom Chord: 5 ft to 15 ft)
 Snow Load : 43.00 psf (ground)
 Snow Load : 30.10 psf (design) [Is =1.00, Ce = 1.00]
 Wind Load : 22.35 psf (design) [Iw = 1.00]
 Wind Speed : 110 mph (Exposure C)
 Open Category: E
 Topography (Kz):1
 Building Category: (2) General
 Seismic Coefficient: 0.044



Per AISI S100-2007		Actual			Allowable			Ratio
Member	Section	Po	Vo	Mo	Pa	Va	Ma	
Bottom Chord	1-600S162-54(50)	1.58T	0.00	12.93	16.65	2.83	27.75	0.56
Top Chord	1-362S162-97(50)	1.42C	0.71	20.95	19.64	6.03	28.37	0.81
Web	1-250S162-33(33)	0.67T	0.00	0.39	4.41	0.96	1.42	0.43

International Building Code 2009: PASSED
 Design Method - (ASD)
 Component Wind Pressure Design (Interior)



Rusk Component and Design
 11357 Billings Ave
 Lafayette, CO 80026
 (303) 828-5747

Roof Trusses
 Lafayette, Co

Truss D&E, V25.011
 Date: 04-24-2015
 Time: 08:26
 Designer: BJR
 File: A-10-20
 Job Number: RoofTruss

A-10-20