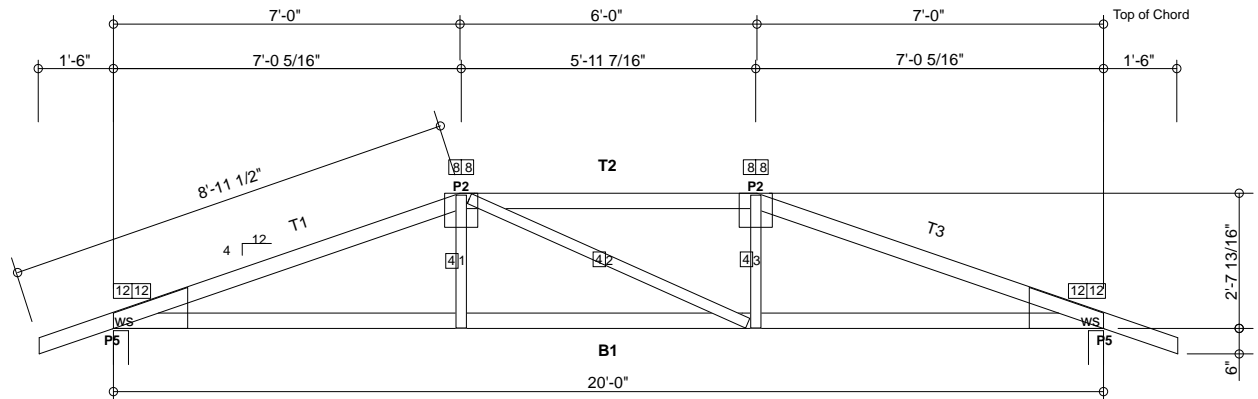
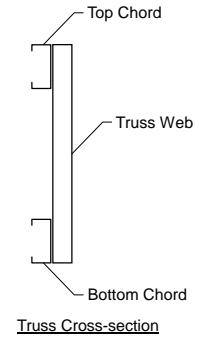


MATERIAL CUT LIST	Material	Unit/Length	Quantity
Metal Screw	#12 Drivall	0	1698
Metal Screw	#10 Drivall	0	80
Connector (P2)	PL8x8x0.057	0	20
Connector (P5)	PL18x9x0.057	0	20
Simpson	MTS12	0	20
B1	362S162-33(33)	20'-0"	10
T1	362S162-54(50)	9'-0 3/4"	10
T2	362S162-54(50)	6'-0"	10
T3	362S162-54(50)	9'-0 3/4"	10
Web #1	250S162-33(33)	2'-7 1/4"	10
Web #2	250S162-33(33)	6'-1 9/16"	10
Web #3	250S162-33(33)	2'-7 1/4"	10
Web Stiffener (ws)	250T125-33(33)	3 1/2"	20

### GENERAL NOTES

- Number of fasteners noted in chart installed on each end of Web
- When connecting plates to chord or web members, fasteners must pass through the plate and member. If a joint connection has fasteners passing through the web, connector plate and chord, the fastener may be counted as part of the required number of fasteners for that joint.
- Minimum connector spacing (center to center or free edge) = 3/4"
- Truss connector type - #12 Drivall (Grabber)

Number of Trusses = 10 each  
 Chord Cut Type = Mitre Cut  
 Truss Spacing = 2'-0"  
 Number of Plys = 1  
 Weight per Truss = 69.5 lbs (per ply)



2 denotes number of fasteners @ each end of member (web or chord)  
 4 4 denotes number of chord-plate fasteners

Scale: 1/4" = 1'-0"



### Rusk Component and Design

11357 Billings Ave  
 Lafayette, CO 80026  
 (303) 828-5747

### Roof Trusses

Lafayette, Co

Truss D&E, V25.011  
 Date: 04-24-2015  
 Time: 08:12  
 Designer: BJR  
 File: H-4-20  
 Job Number: RoofTruss

This document contains information proprietary to Rusk Component and Design and may not be used or reproduced without prior written consent. Contents subject to change without notice.

H-4-20

Fabrication Drawing