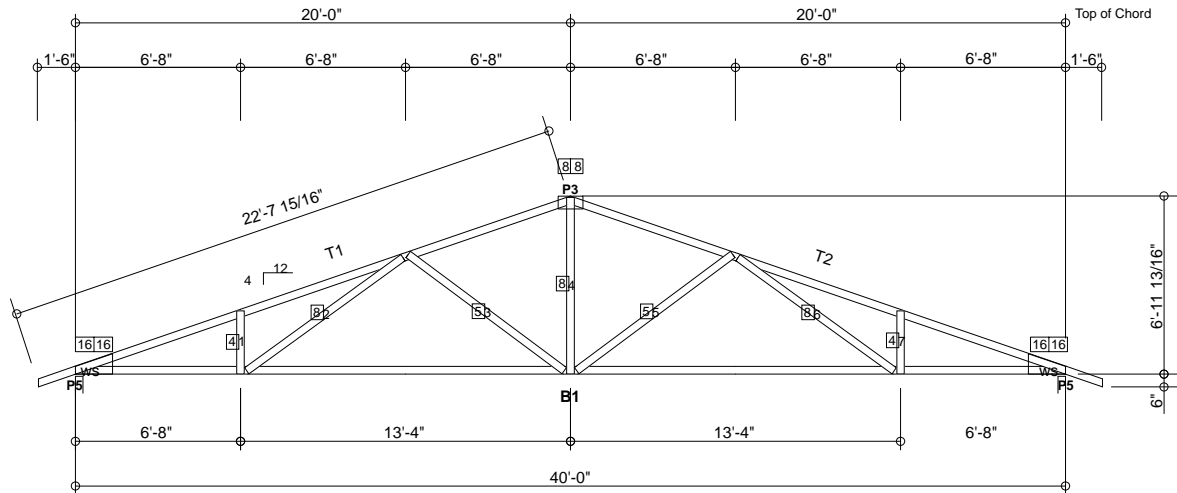
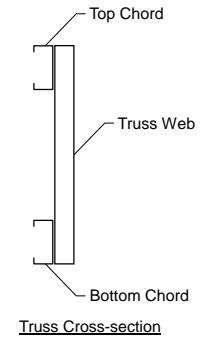


MATERIAL CUT LIST	Material	Unit/Length	Quantity
Metal Screw	#12 Drivall	0	2620
Metal Screw	#10 Drivall	0	80
Connector (P3)	PL12x6x0.057	0	10
Connector (P5)	PL18x9x0.057	0 </td <td>20</td>	20
Simpson	MTS12	0	20
B1	362S162-54(50)	40'-0"	10
T1	362S162-54(50)	22'-9 3/16"	10
T2	362S162-54(50)	22'-9 3/16"	10
Web #1 7	362S162-33(33)	2'-5 5/8"	20
Web #2 6	362S162-33(33)	7'-8 9/16"	20
Web #3 5	362S162-43(33)	7'-9 5/16"	20
Web #4	362S162-33(33)	6'-11"	10
Web Stiffener (ws)	250T125-33(33)	3 7/16"	20

GENERAL NOTES

- Number of fasteners noted in chart installed on each end of Web
- When connecting plates to chord or web members, fasteners must pass through the plate and member. If a joint connection has fasteners passing through the web, connector plate and chord, the fastener may be counted as part of the required number of fasteners for that joint.
- Minimum connector spacing (center to center or free edge) = 3/4"
- Truss connector type - #12 Drivall (Grabber)

Number of Trusses = 10 each
 Chord Cut Type = Mitre Cut
 Truss Spacing = 2'-0"
 Number of Plys = 1
 Weight per Truss = 172.7 lbs (per ply)



2 denotes number of fasteners @ each end of member (web or chord)
 4 4 denotes number of chord-plate fasteners

Scale: 1/8" = 1'-0"



Rusk Component and Design

11357 Billings Ave
 Lafayette, CO 80026
 (303) 828-5747

Roof Trusses

Lafayette, Co

Truss D&E, V25.011
 Date: 04-24-2015
 Time: 08:07
 Designer: BJR
 File: C-3-40
 Job Number: RoofTruss

This document contains information proprietary to Rusk Component and Design and may not be used or reproduced without prior written consent. Contents subject to change without notice.

C-3-40

Fabrication Drawing