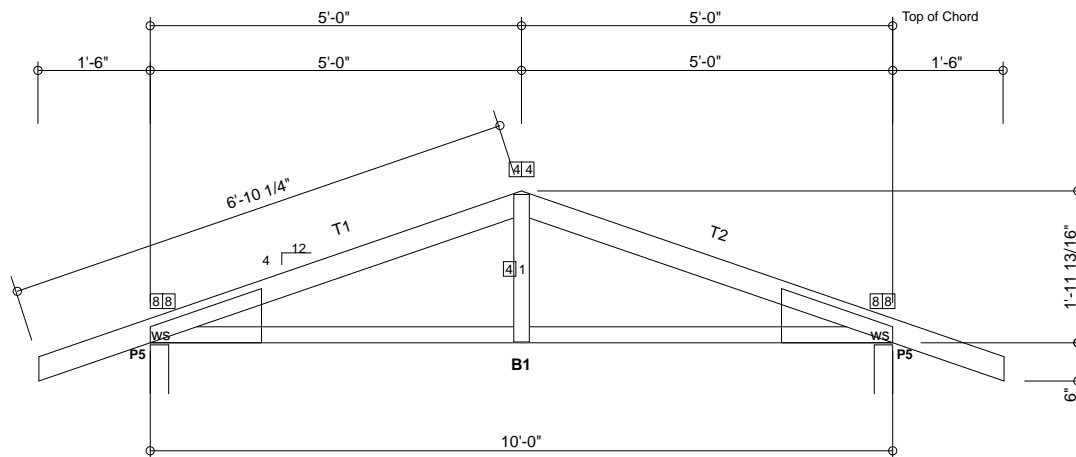
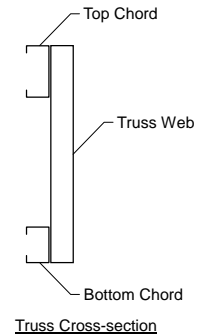


| MATERIAL CUT LIST  | Material       | Unit/Length | Quantity |
|--------------------|----------------|-------------|----------|
| Metal Screw        | #12 Drivall    | 0           | 914      |
| Metal Screw        | #10 Drivall    | 0           | 80       |
| Connector (P2)     | PL8x8x0.057    | 0           | 10       |
| Connector (P5)     | PL18x9x0.057   | 0           | 20       |
| Simpson            | S/H2.5         | 0           | 20       |
| B1                 | 250S162-33(33) | 10'-0"      | 10       |
| T1                 | 362S162-43(33) | 6'-11 7/16" | 10       |
| T2                 | 362S162-43(33) | 6'-11 7/16" | 10       |
| Web #1             | 250S162-33(33) | 1'-11 1/8"  | 10       |
| Web Stiffener (ws) | 250T125-33(33) | 2 3/8"      | 20       |

**GENERAL NOTES**

1. Number of fasteners noted in chart installed on each end of Web
2. When connecting plates to chord or web members, fasteners must pass through the plate and member. If a joint connection has fasteners passing through the web, connector plate and chord, the fastener may be counted as part of the required number of fasteners for that joint.
3. Minimum connector spacing (center to center or free edge) = 3/4"
4. Truss connector type - #12 Drivall (Grabber)

Number of Trusses = 10 each  
 Chord Cut Type = Mitre Cut  
 Truss Spacing = 2'-0"  
 Number of Plys = 1  
 Weight per Truss = 32.5 lbs (per ply)



2 denotes number of fasteners @ each end of member (web or chord)  
 4 4 denotes number of chord-plate fasteners

Scale: 3/8" = 1'-0"



**Rusk Component and Design**

11357 Billings Ave  
 Lafayette, CO 80026  
 (303) 828-5747

**Roof Trusses**

Lafayette, Co

Truss D&E, V25.011  
 Date: 04-24-2015  
 Time: 08:05  
 Designer: BJR  
 File: C-3-10  
 Job Number: RoofTruss

This document contains information proprietary to Rusk Component and Design and may not be used or reproduced without prior written consent. Contents subject to change without notice.

**C-3-10**

Fabrication Drawing